

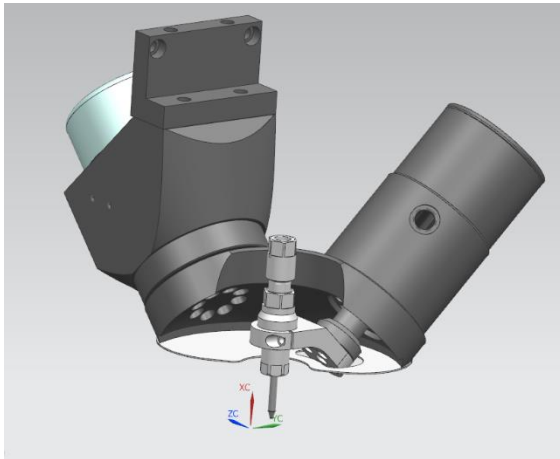


上海弘脉机电科技有限公司
ShangHai HongMai Mechanical&Electrical Technology Co.,LTD

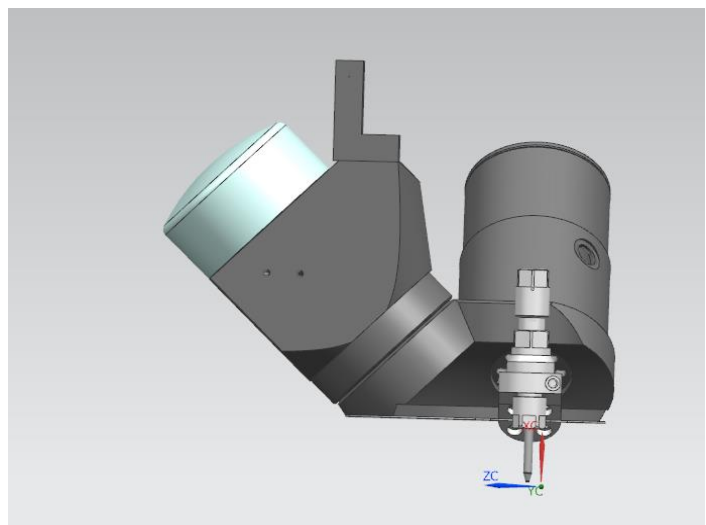
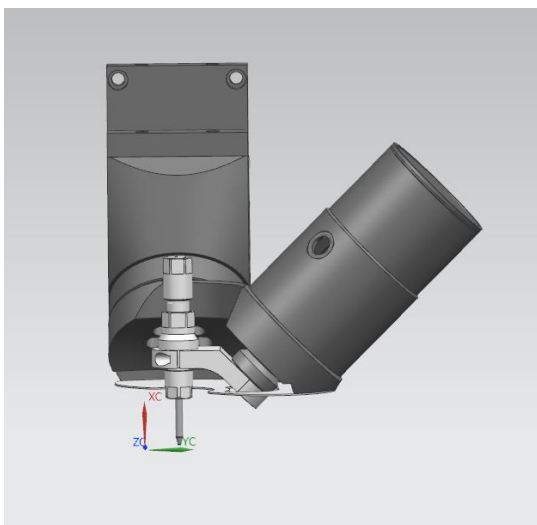
GMT CUT 2 (± 12°)



TILT HEAD
± 12° bevel angle



Description - Data		A Axis	C Axis
Working position	type	Vertical	
Bevel angle	max	± 15°	+18° - 12°
	work	± 12°	± 12°
Motor/Drive brand	type	INOVANCE / YASKAWA / PANASONIC	
Drive INTERFACE	type	EtherCat / Mechatrolink / Analog	
Cables	type	included	
Axis orientation	type	C: 45° from VERTICAL / A: 45° from VERTICAL	



ShangHai HongMai Mechanical&Electrical Technology Co.,LTD

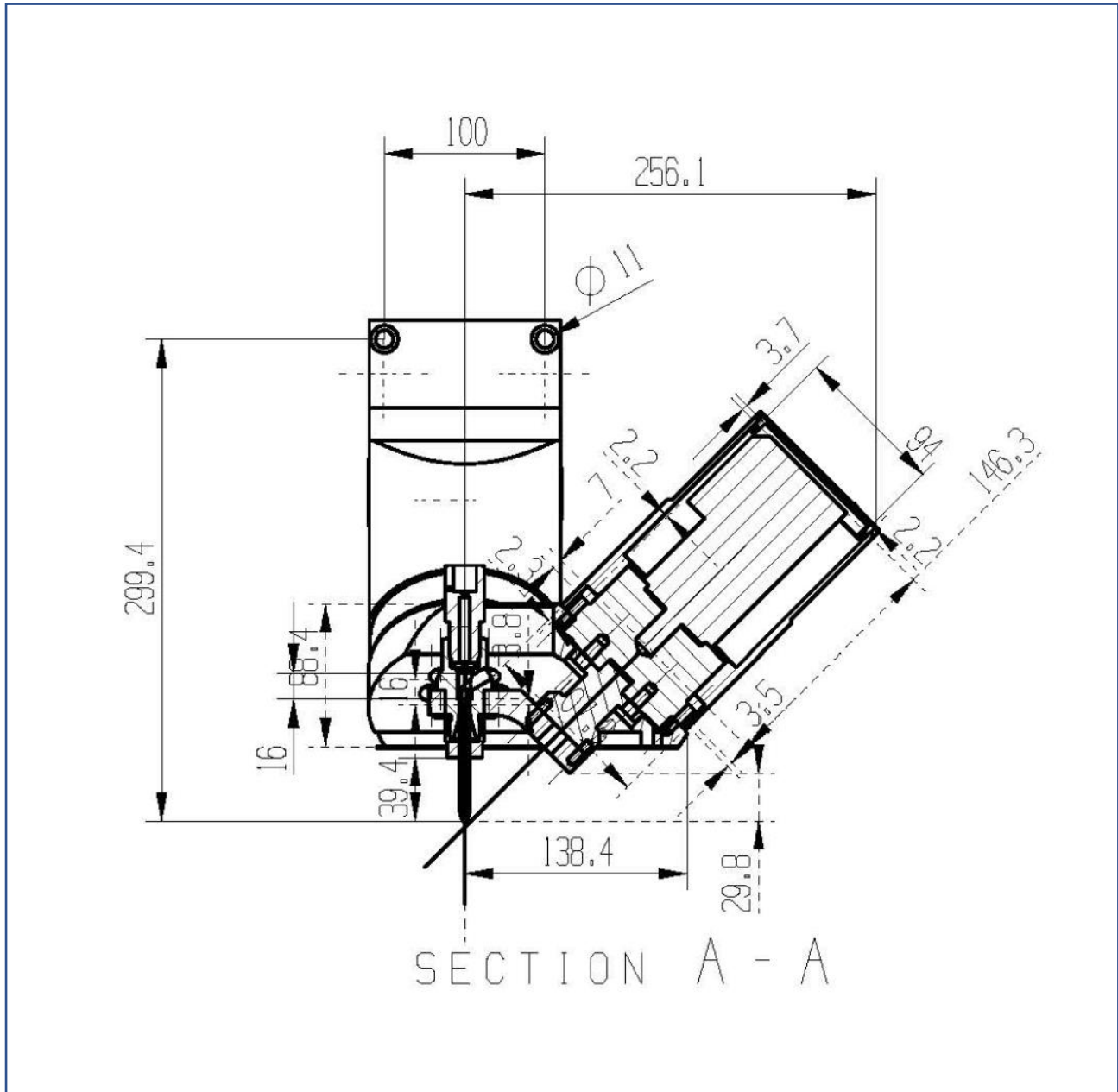
RM336-338,A Building,No.6785,ZhongChun RD,ShangHai

TEL: 021-6728 9266 FAX: 021-6728 9277 - Mob(WeChat):13916120123 QQ:149570

<http://www.ecscnc.com> zhangfh@ecscnc.com



OVERALL DIMENSIONS



ShangHai HongMai Mechanical&Electrical Technology Co.,LTD

RM336-338,A Building,No.6785,ZhongChun RD,ShangHai

TEL: 021-6728 9266 FAX: 021-6728 9277 - Mob(WeChat):13916120123 QQ:149570

<http://www.ecscnc.com> zhangfh@ecscnc.com