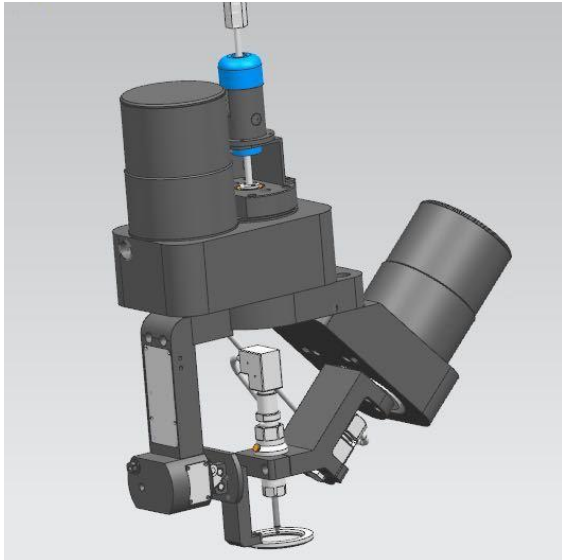




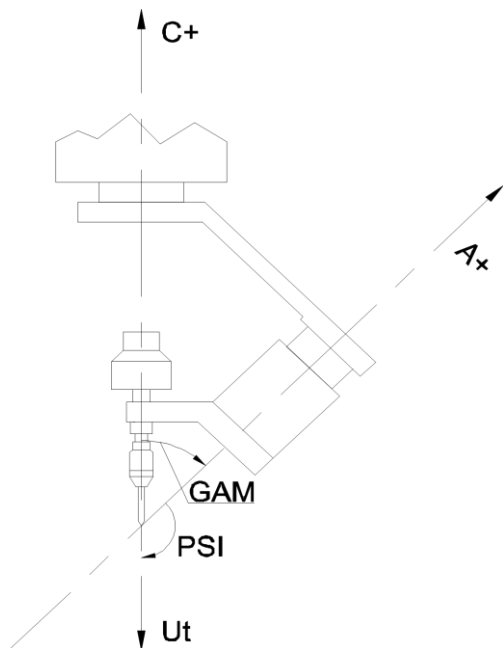
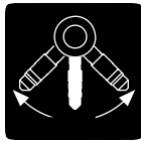
上海弘脉机电科技有限公司
ShangHai HongMai Mechanical&Electrical Technology Co.,LTD

GMT CUT 1 (45°)

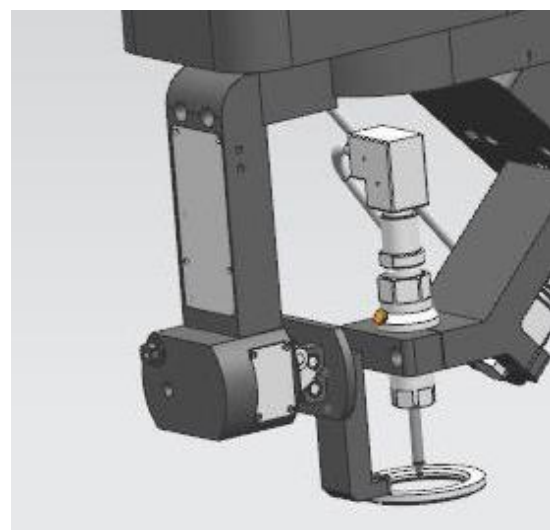


BEVEL HEAD
± 60° bevel angle

Description - Data		A Axis	C Axis
Working position	type	Vertical	
Bevel angle	max	± 70°	± 70°
	work	± 60°	± 60°
Motor/Drive brand	type	INOVANCE / YASKAWA / PANASONIC	
Drive INTERFACE	type	EtherCat / Mechatrolink / Analog	
Cables	type	included	
Axis orientation	type	C:VERTICAL / A:45 DEGREES	
Touch Sensor	Type	Analog 0 / 5V	



Analog Touch Sensor



ShangHai HongMai Mechanical&Electrical Technology Co.,LTD

RM336-338,A Building,No.6785,ZhongChun RD,ShangHai

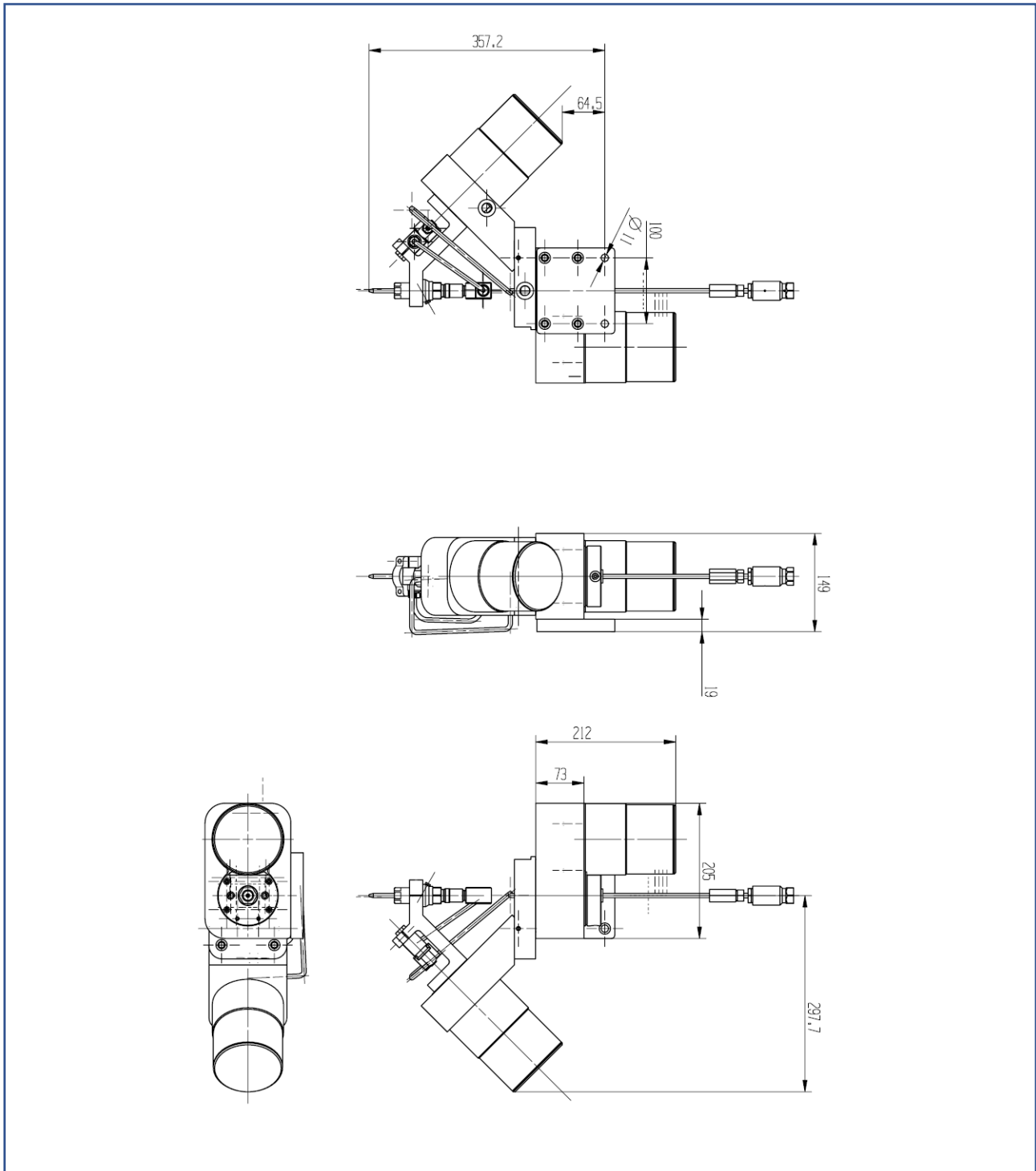
TEL: 021-6728 9266 FAX: 021-6728 9277 - Mob(WeChat):13916120123 QQ:149570

<http://www.ecscnc.com> zhangfh@ecscnc.com



上海弘脉机电科技有限公司
ShangHai HongMai Mechanical&Electrical Technology Co.,LTD

OVERALL DIMENSIONS



ShangHai HongMai Mechanical&Electrical Technology Co.,LTD

RM336-338,A Building,No.6785,ZhongChun RD,ShangHai

TEL: 021-6728 9266 FAX: 021-6728 9277 - Mob(WeChat):13916120123 QQ:149570

<http://www.ecscnc.com> zhangfh@ecscnc.com



上海弘脉机电科技有限公司

ShangHai HongMai Mechanical&Electrical Technology Co.,LTD



ShangHai HongMai Mechanical&Electrical Technology Co.,LTD

RM336-338,A Building,No.6785,ZhongChun RD,ShangHai

TEL: 021-6728 9266 FAX: 021-6728 9277 - Mob(WeChat):13916120123 QQ:149570

<http://www.ecscnc.com> zhangfh@ecscnc.com